

# Linea™ 2K and 4K

Monochrome CMOS Line Scan Cameras



### Key Features

- High speed: up to 80 kHz
- 2048 or 4096 pixel resolution
- Low cost and compact

### Programmability

- GenICam or ASCII compliant interfacing
- Multiple Regions of Interest for calibration and data reduction
- 8 or 12 bit output, selectable
- Smart flat field and lens shading correction
- 4 programmable coefficient sets
- Flexible signalling and synchronization

### Typical Applications

- Automated optical inspection
- Security systems
- High performance sorting systems
- Materials grading and inspection systems
- Web inspection
- General purpose machine vision

### Regulatory Compliance

- CE, FCC and RoHS

## High Performance, Low Cost

The new Linea™ family of line scan cameras provides the uncompromising performance and rich feature-set found in Teledyne DALSA's high-end line scan cameras at an unprecedented price point.

Based on the most advanced CMOS line scan technology Linea employs a 2K or 4K single line 7.04  $\mu\text{m}$  x 7.04  $\mu\text{m}$  pixel array at an 80 kHz line rate. With excellent sensitivity and speed, Linea surpasses the requirements of demanding applications—such as materials grading and inspection, transportation safety, and general purpose machine vision.

Linea is a compact, light weight and robust camera with many attractive features, including full-fledged flat-field correction, multiple ROI, smart triggers through programmable GPIO, multiple user configuration sets, and calibration coefficients for various lighting conditions.

GenICam™ compliant Linea is easy to set up and integrate using a GUI, such as Teledyne DALSA's Sopera™ camera configuration utility Camexpert, or an ASCII interface using three letter commands.

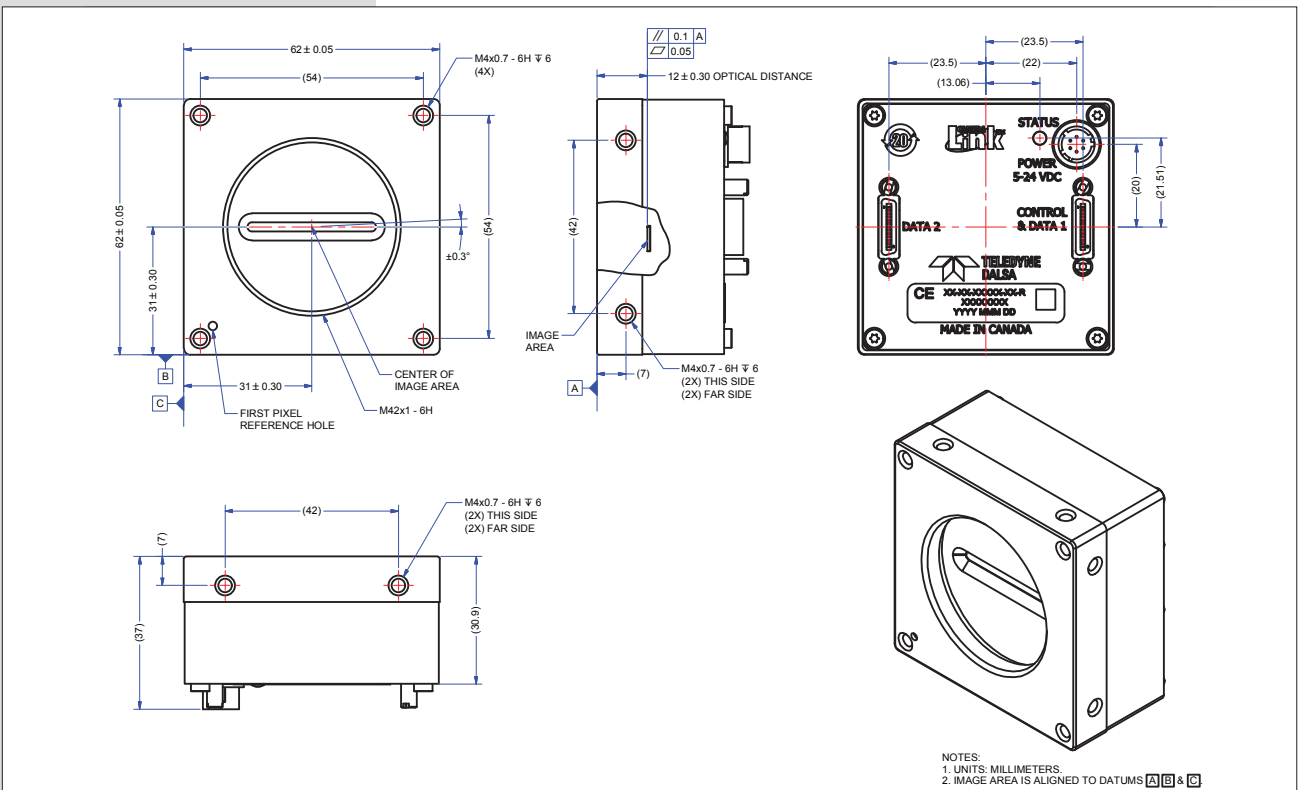
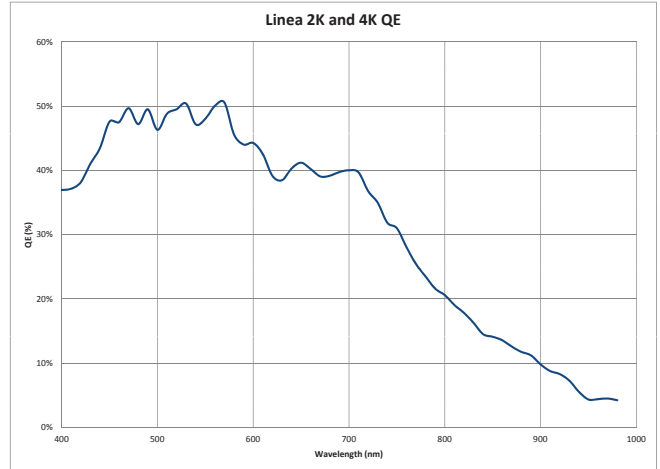
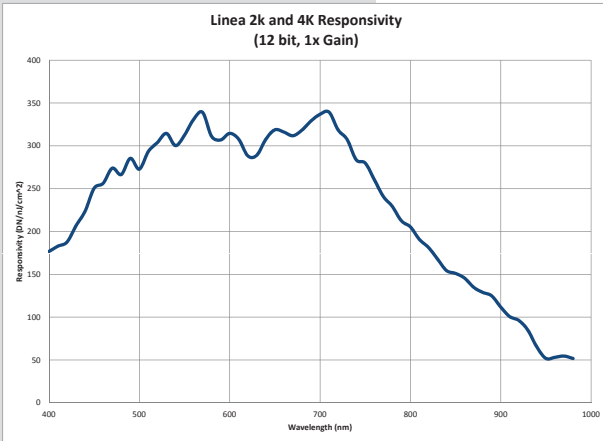
### Specifications

|                    |   |
|--------------------|---|
| Resolution         | 2048 or 4096 pixels                                   |
| Line Rate          | Up to 80 kHz  |
| Pixel Size         | 7.04 $\mu\text{m}$ x 7.04 $\mu\text{m}$               |
| Data Format        | 8 or 12 bit selectable                                |
| Output             | Base, Medium, and Full Camera Link                    |
| Lens Mount         | M42 x 1<br>C-mount adapter available                  |
| Responsivity       | 320 DN / (nJ / cm <sup>2</sup> ) in 12 bit at 1x gain |
| Dynamic Range      | > 60 dB   |
| Nominal Gain Range | 1x to 10x   |
| Size               | 62 mm x 62 mm x 30.9 mm                               |
| Mass               | < 190 g   |
| Operating Temp     | 0 °C to 65 °C (front plate)                           |
| Power              | Hirose 6-pin or PoCL                                  |
| Power Dissipation  | < 4.5 W   |
| Control & Data     | SDR-26 mini Camera Link                               |

| Models            |            |                    |   |
|-------------------|------------|--------------------|---|
| Part Number       | Resolution | Maximum Line Rates | Pixel Size                              |
| LA-CM-02K08A-00-R | 2048       | 80 kHz             | 7.04 $\mu\text{m}$ x 7.04 $\mu\text{m}$ |
| LA-CM-04K08A-00-R | 4096       | 80 kHz             | 7.04 $\mu\text{m}$ x 7.04 $\mu\text{m}$ |

# Linea™ 2K and 4K

Monochrome CMOS Line Scan Cameras



[www.teledynedalsa.com](http://www.teledynedalsa.com)

## Americas

Boston, USA  
 +1 978-670-2000  
[sales.americas@teledynedalsa.com](mailto:sales.americas@teledynedalsa.com)

## Europe

Krailling, Germany  
 +49 89-89-54-57-3-80  
[sales.europe@teledynedalsa.com](mailto:sales.europe@teledynedalsa.com)

## Asia Pacific

Tokyo, Japan  
 +81 3-5960-6353  
[sales.asia@teledynedalsa.com](mailto:sales.asia@teledynedalsa.com)

Shanghai, China  
 +86 21-6427-9081

[sales.asia@teledynedalsa.com](mailto:sales.asia@teledynedalsa.com)